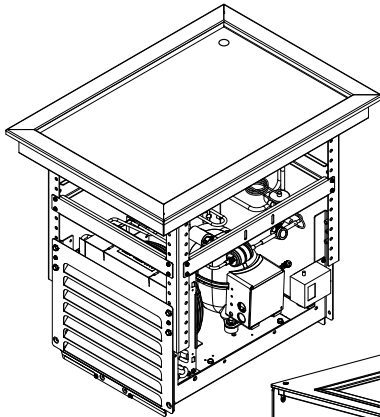




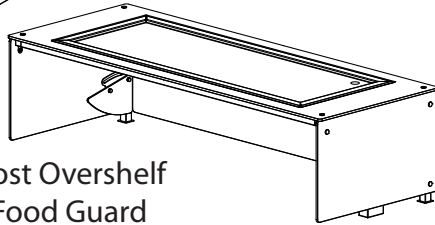
Your Solutions Partner

# Specifications

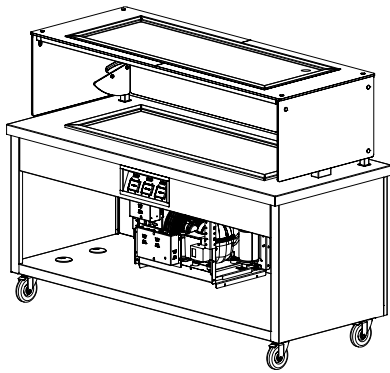
F.O.B. Sedalia, Missouri 65301



Recessed Hot/Frost Drop-In



Recessed Hot/Frost Overshelf Shown in BGA Food Guard



Recessed Hot/Frost Dual Evaporator



### OPTIONS:

- Stone inserts in 3 different colors for a more retail upscale look
- Available as hot only or cold only
- Basic mechanical control
- Drain Optional
- Duplexed Evaporative system for stacked Overshelf and drop-in

DUKE MANUFACTURING CO.

2305 N. Broadway

St. Louis, MO 63102

800.735.3853 Toll Free

314.231.5074 Fax

www.dukemfg.com

SS-1245 Recessed Hot Frost

### Approval Stamp(s):

# Draft

Recessed Hot Frost

### PRODUCT INFORMATION:

PROJECT: \_\_\_\_\_

ITEM: \_\_\_\_\_

QUANTITY: \_\_\_\_\_

### MODEL:

**Recessed Hot Frost, Hot Frost Over Shelf, and Duplex Hot and Cold**

- Models Listed on following pages
 

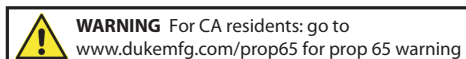
|              |                            |
|--------------|----------------------------|
| Hot and Cold | Hot and Cold Configuration |
| Hot Only     | Hot Only Configuration     |
| Cold Only    | Cold Only Configuration    |
- The #1 benefit of the Duke Stainless steel recessed HotFrost 18"x 26" pan top merchandiser is versatility, flexibility and speed of line reload to handle high throughput in short period of time
- Change your serving configuration daily and from breakfast to lunch as your menu dictates.
- Switch from Hot or Cold display merchandising as your menu dictates.
- Change the way food is served and merchandised with pre plated and pre portioned foods.
- Recessed HotFrost Drop in with HotFrost shelves integrated into the breathguards double food display merchandising per linear foot.
- Dukes recessed 18"x 26" pan design locks pans in place or use optional stone inserts for a retail, upscale presentation without the use of sheet pans.
- The 18"x 26" pan format enables fast line re-load and the ability to handle high throughput in a short period of time. The self-serving of pre-wrapped and pre-portioned foods minimizes labor needs associated with operator served foods.
- Optional colored stone inserts provide an upscale retail look

### CONTROLS:

- Intuitive, easy to learn, easy to use full color touch screen control with pre-programmed temperatures assure consistency and high food quality.
- Touchscreen shows alerts and messaging when the unit isn't operating to specification... also easy access to serial #.
- Built in connectivity to allow future firmware updates, and remote alerts, messaging and control.
- Six foot cord supplied between control and touchscreen.
- Complies with part 15 of the FCC rules.

### Agency Listings:

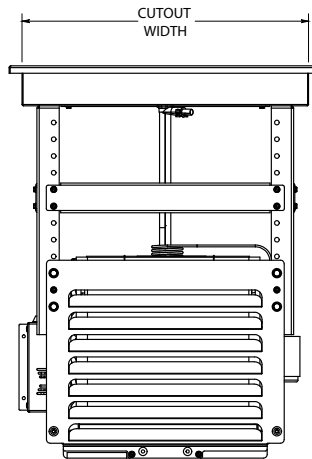
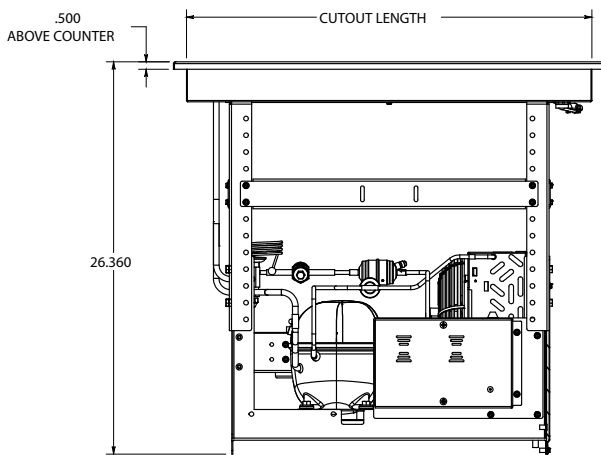
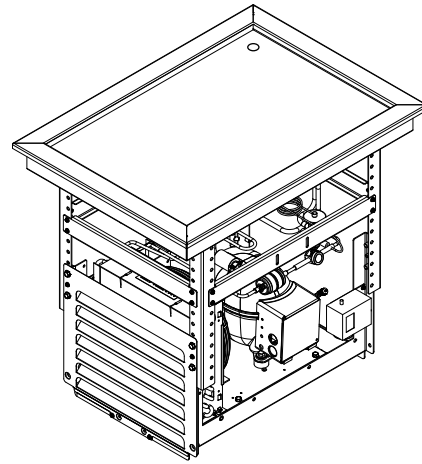
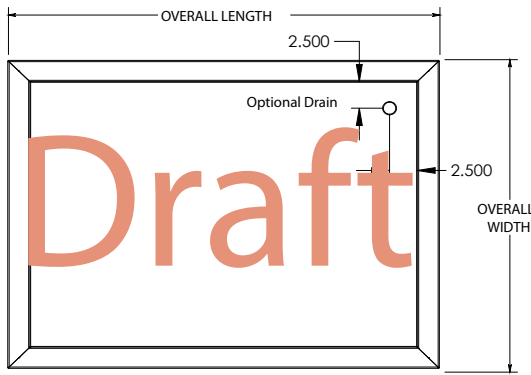
Specification subject to change



Catalog No. Recessed Hot Frost

A.I.A. File No. 35-C-13

# Recessed Hot Frost Drop-In



## ELECTRICAL SPECIFICATIONS:

| Model   |                       | 120 Volt - HZ 60 |      | Model   |                          | 120 Volt - HZ 60 |      | Model   |                            | 120 Volt - HZ 60 |      |
|---------|-----------------------|------------------|------|---------|--------------------------|------------------|------|---------|----------------------------|------------------|------|
|         |                       | Amps             | NEMA |         |                          | Amps             | NEMA |         |                            | Amps             | NEMA |
| RHF1-SL | Hot Frost - Slim Line | 7.0              | 5-15 | RHT1-SL | Hot Top Only - Slim Line | 2.5              | 5-15 | RFT1-SL | Frost Top Only - Slim Line | 7.0              | 5-15 |
| RHF2-SL | Hot Frost - Slim Line | 8.0              | 5-15 | RHT2-SL | Hot Top Only - Slim Line | 5.0              | 5-15 | RFT2-SL | Frost Top Only - Slim Line | 8.0              | 5-15 |
| RHF3-SL | Hot Frost - Slim Line | 8.0              | 5-15 | RHT3-SL | Hot Top Only - Slim Line | 7.5              | 5-15 | RFT3-SL | Frost Top Only - Slim Line | 8.0              | 5-15 |
| RHF2-SB | Hot Frost - Standard  | 8.0              | 5-15 | RHT2-SB | Hot Top Only - Standard  | 5.0              | 5-15 | RFT2-SB | Frost Top Only - Standard  | 8.0              | 5-15 |
| RHF3-SB | Hot Frost - Standard  | 8.0              | 5-15 | RHT3-SB | Hot Top Only - Standard  | 7.5              | 5-15 | RFT3-SB | Frost Top Only - Standard  | 8.0              | 5-15 |

## DIMENSIONS:

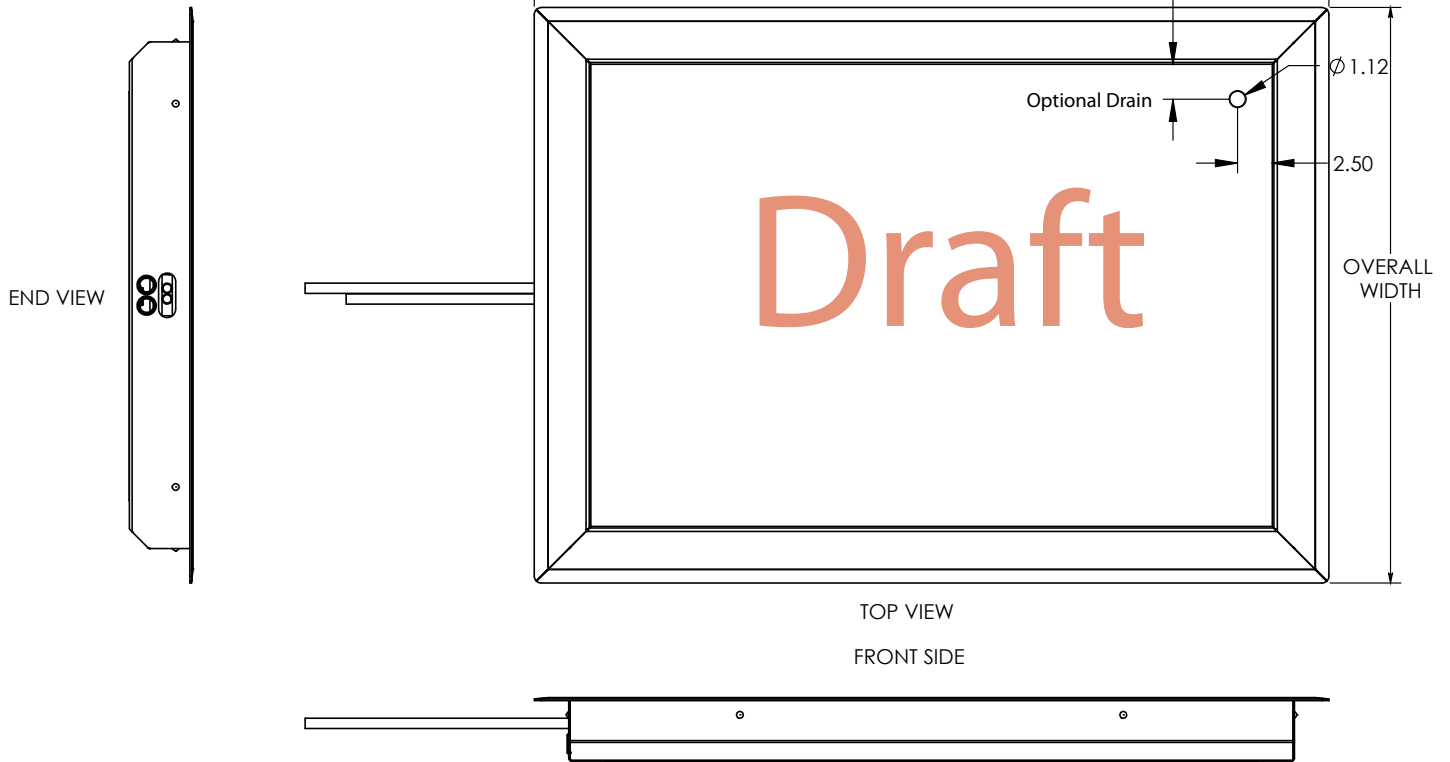
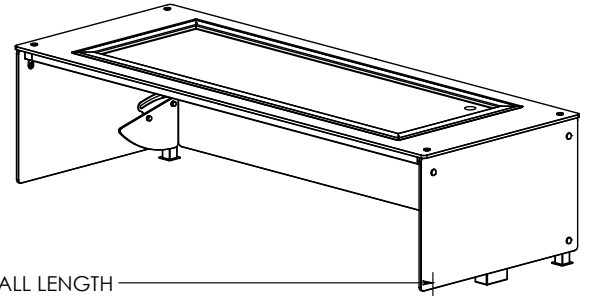
Freight Class: 100

| Model   | Length |       | Width |      | Height |      | Cutout-W |      | Cutout-L |       | Cube ft. crated | Crated Ship Weight |       |
|---------|--------|-------|-------|------|--------|------|----------|------|----------|-------|-----------------|--------------------|-------|
|         | in.    | cm    | in.   | cm   | in.    | cm   | in.      | cm   | in.      | cm    |                 | lbs.               | kg    |
| XXX1-SL | 29.0   | 73.7  | 21.0  | 61.0 | 26.36  | 67.0 | 19.5     | 50.0 | 27.5     | 69.9  | 16.1            | 214                | 97.1  |
| XXX2-SL | 55.0   | 139.7 | 21.0  | 61.0 | 26.36  | 67.0 | 19.5     | 50.0 | 53.5     | 135.9 | 17.4            | 232                | 105.2 |
| XXX3-SL | 81.0   | 205.7 | 21.0  | 61.0 | 26.36  | 67.0 | 19.5     | 50.0 | 79.5     | 201.3 | 25.9            | 387                | 175.5 |
| XXX2-SB | 39.0   | 99.1  | 29.0  | 61.0 | 26.36  | 67.0 | 27.5     | 69.9 | 37.5     | 95.3  | 23.8            | 317                | 143.8 |
| XXX3-SB | 57.0   | 144.8 | 29.0  | 61.0 | 26.36  | 67.0 | 27.5     | 69.9 | 55.5     | 141.0 | 25.2            | 387                | 175.5 |

XXX = Model type Hot/Frost, Hot Only, Frost Only

# Recessed Hot/Frost Overshelf

Note: Must be mounted in a BG/BGA food guard and only available in a Duke Thurmduke or CounterCraft Counter



## ELECTRICAL SPECIFICATIONS:

| Model   |                       | 120 Volt - HZ 60 |      | Model   |                          | 120 Volt - HZ 60 |      | Model   |                            | 120 Volt - HZ 60 |      |
|---------|-----------------------|------------------|------|---------|--------------------------|------------------|------|---------|----------------------------|------------------|------|
|         |                       | Amps             | NEMA |         |                          | Amps             | NEMA |         |                            | Amps             | NEMA |
| HFO1-SL | Hot Frost - Slim Line | 8.0              | 5-15 | HTO1-SL | Hot Top Only - Slim Line | 2.5              | 5-15 | FTO1-OS | Frost Top Only - Slim Line | 8.0              | 5-15 |
| HFO2-SL | Hot Frost - Slim Line | 8.0              | 5-15 | HTO2-SL | Hot Top Only - Slim Line | 5.0              | 5-15 | FTO2-OS | Frost Top Only - Slim Line | 8.0              | 5-15 |

## DIMENSIONS:

Freight Class: 100

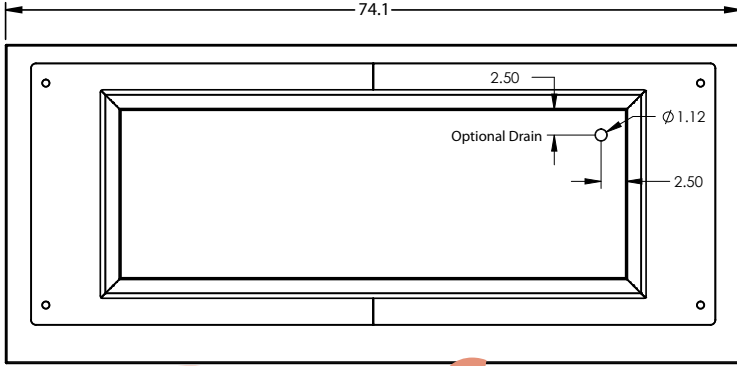
| Model   | Width |       | Depth |      | Height |     | Cube ft. crated | Crated Ship Weight |      |
|---------|-------|-------|-------|------|--------|-----|-----------------|--------------------|------|
|         | in.   | cm    | in.   | cm   | in.    | cm  |                 | lbs.               | kg   |
| XXX1-SL | 29.0  | 73.7  | 21.0  | 61.0 | 2.38   | 6.0 | 1.0             | 141                | 64.0 |
| XXX2-SL | 55.0  | 139.7 | 21.0  | 61.0 | 2.38   | 6.0 | 2.0             | 232                | 105  |

XXX = Model type Hot/Frost, Hot Only, Frost Only

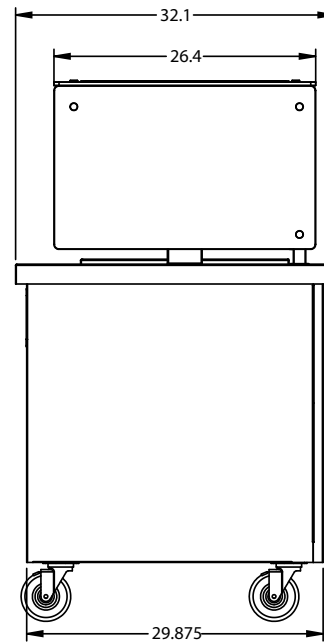
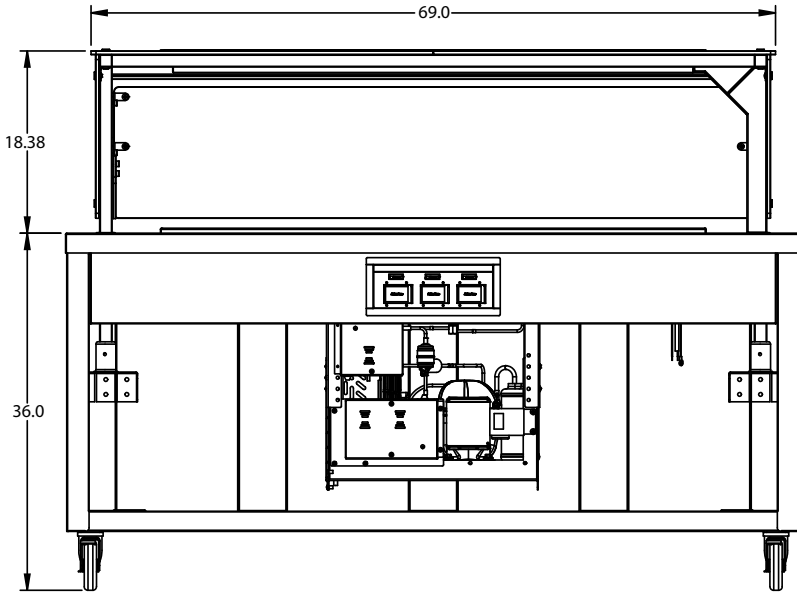
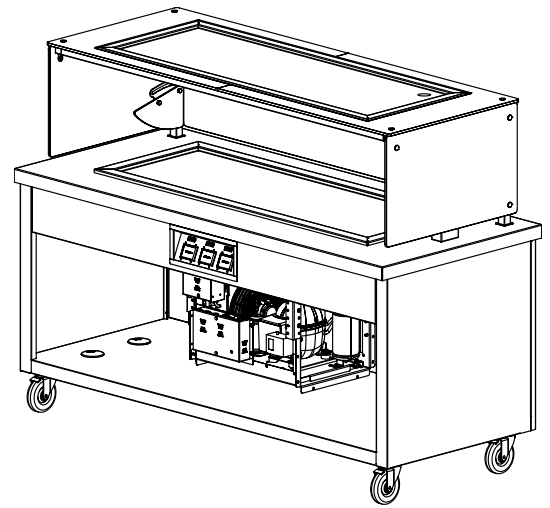
# Recessed Hot/Frost Duplex

A.I.A. File No. 35-C-13

Catalog No. Recessed Hot Frost



# Draft



## ELECTRICAL SPECIFICATIONS:

| Model              |  | 120 Volt - HZ 60 |      |
|--------------------|--|------------------|------|
|                    |  | Amps             | NEMA |
| DE-RHF1-SL-HFO1-SL | Duplex Evap, Recessed HotFrost, HotFrost Overshelf   | 10.5             | 5-15 |
| DE-RHF2-SL-HFO2-SL | Duplex Evap, Recessed HotFrost, HotFrost Overshelf   | 13.0             | 5-20 |
| DE-RHF2-SB-HFO2-SL | Duplex Evap, Recessed HotFrost, HotFrost Overshelf   | 13.0             | 5-20 |
| DE-RHF2-SB-HFO1-SL | Duplex Evap, Recessed HotFrost, HotFrost Overshelf   | 11.8             | 5-15 |
| DE-RFT1-SB-FTO1-SL | Duplex Evap, Recessed Frost Top, Frost Top Overshelf | 8.0              | 5-15 |
| DE-RFT2-SL-FTO2-SL | Duplex Evap, Recessed Frost Top, Frost Top Overshelf | 8.0              | 5-15 |
| DE-RFT2-SB-FTO2-SL | Duplex Evap, Recessed Frost Top, Frost Top Overshelf | 8.0              | 5-15 |
| DE-RFT2-SB-FTO1-SL | Duplex Evap, Recessed Frost Top, Frost Top Overshelf | 8.0              | 5-15 |

Recessed Hot Frost



**Duke Manufacturing Co.**  
2305 N. Broadway  
St. Louis, MO 63102

Phone: 314-231-1130  
Toll Free: 1-800-735-3853  
Fax: 314-231-5074

[www.dukemfg.com](http://www.dukemfg.com)

Printed in U.S.A  
© 2022, Duke Manufacturing Co.